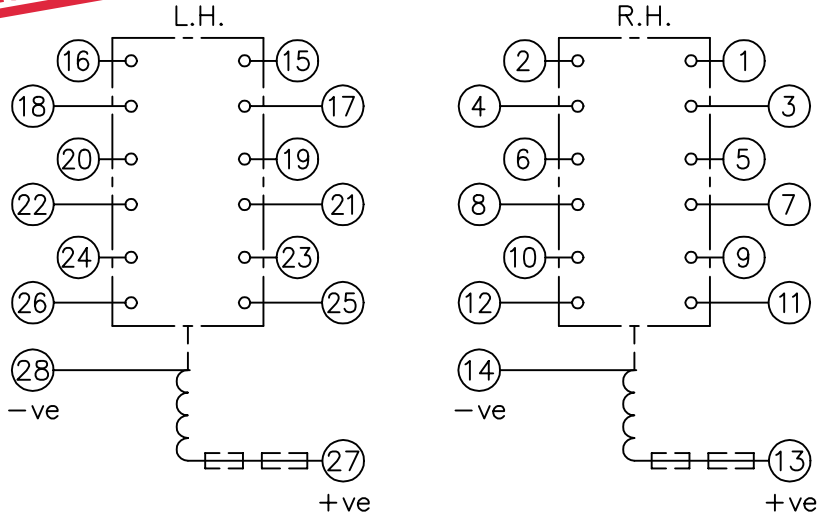


**NOT SUBJECT TO UPDATE
ONCE COPIED / PRINTED
OR DOWNLOADED**

LOOKING ON FRONT OF RELAY

2112W50100

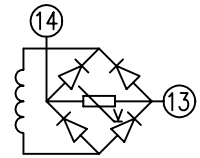


NOTE:

- RESISTORS ARE NOT REQUIRED ON OTHER VOLTAGE VARIATIONS.
- * THE AR141T2 125VDC & 240VDC VERSIONS MUST HAVE RESISTOR 2101C21471 FITTED INSTEAD OF THE ONE SPECIFIED ON CHART. SEE RELEVANT B.O.M.
- HEAVY DUTY CONTACTS ARE FITTED WITH BLOWOUT MAGNETS AND ARE POLARITY CONSCIOUS. SEE TABLE FOR +VE TERMINAL.

KEY	125	* 2101C21102 ONLY.	NIL.		SEE NOTE 2 *			
	240	* 2101C21102 +EXT. RES.	EXT. RES. ONLY		SEE NOTE 2 *			
	VDC	RES.(T1,T2,T3,T6).	RES.(T4).		REMARKS			
make contact								
break contact								
c/o contact								
ext. conn plug bridge - shorting								
metering point								
5Kv barrier								
test socket - shorting								
plug & socket								
	CONTACT CONFIG.	OUTPUT CONTACT PAIR / TERMINAL No.						
		R.H. →	1-3	2-4	5-7	6-8	9-11	10-12
		L.H. →	15-17	16-18	19-21	20-22	23-25	24-26
	6M	M	M	M	M	M	M	M
	5M 1B	M	B	M	M	M	M	M
	4M 2B	B	B	M	M	M	M	M
	3M 3B	B	B	M	B	M	M	M
	2M 4B	B	B	B	B	M	M	M
	1M 5B	B	B	B	B	M	B	B
		6B	B	B	B	B	B	B

NOTE:
WHEN RECTIFIER IS SPECIFIED COIL CONNS ARE AS SHOWN.



THE CONTACT CONFIGS SHOWN ARE NOT AVAILABLE FOR ALL AR2-1T- RELAYS. SEE INDIVIDUAL ORDERING SCHEDULES FOR CONTACT OPTION AVAILABILITY.

FRAME REFERENCE: E4FE02.

FRAME TERMINAL BLOCK ASSY: -

ASSEMBLY INSTRUCTIONS: -
TYPICAL ASSEMBLY DRAWING 2995G10032.
AT INDICATED POSITIONS FIT AS FOLLOWS:
T - FIT TRIP ISOLATION CONTACT 2995B10053
S - FIT STANDARD CONTACT 2995B10054
SECURE CONTACTS USING FIXING SCREW 2109F99009.
POSITIONS SHOWN BLANK ARE UNUSED

2	T	T	1
4	T	T	3
6	T	T	5
8	T	T	7
10	T	T	9
12	T	T	11
14	S	S	13
16	T	T	15
18	T	T	17
20	T	T	19
22	T	T	21
24	T	T	23
26	T	T	25
28	S	S	27

VIEW FROM NUMBERED SIDE OF BLOCK

OUTER TERMINAL BLOCK ASSY: -

ASSEMBLY INSTRUCTIONS: -
TYPICAL ASSEMBLY DRAWING 2995G10029.
AT INDICATED POSITIONS FIT AS FOLLOWS:
S - FIT STANDARD CONTACT 2995B10051
HC - FIT 'HEAVY CURRENT' KIT 2995G10030
WHERE IS SHOWN FIT CT SHORTING KIT 2995G10031
POSITIONS SHOWN BLANK ARE UNUSED.
ALL POSITIONS FIT SCREW 2106F12506.

2	S	S	1
4	S	S	3
6	S	S	5
8	S	S	7
10	S	S	9
12	S	S	11
14	S	S	13
16	S	S	15
18	S	S	17
20	S	S	19
22	S	S	21
24	S	S	23
26	S	S	25
28	S	S	27

VIEW FROM INSIDE FACE

1	29/04/99	MOD.No.	Title. T.B. AND W.D. FOR AR2-1T- 6 CONTACT RELAYS IN EPSILON E4 CASE.		First used on:
			Reyrolle Protection Hebburn.		Similar Articles:
Original Scale.		Supersedes:			
		Drg.No.		2112W50100	
DRAWN: A.LAW.	CHECKED:			APPROVED: R.D.WATSON	DATE: 17/07/02